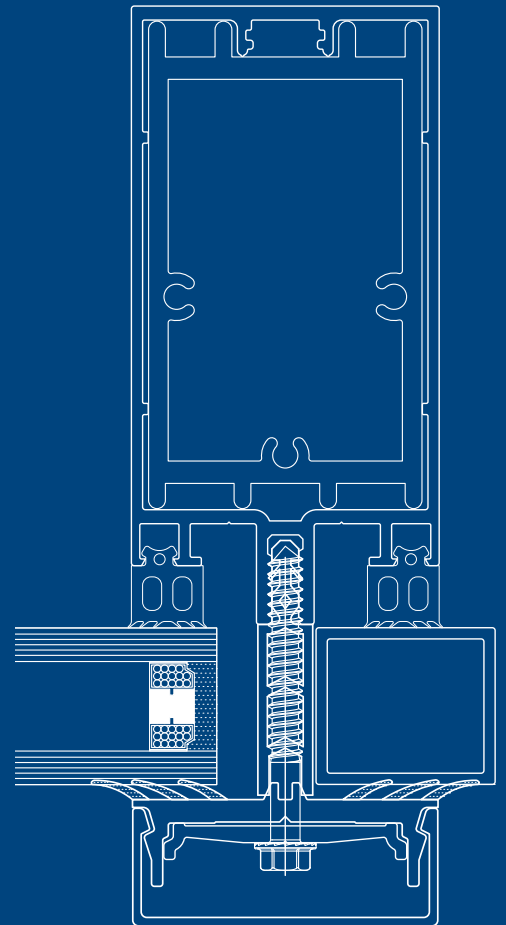


smart
architectural aluminium

MC600

MC600 is a new curtain wall system capable of providing impressive, practical & economic glazed facades as a solution for both small and large scale multi-storey commercial buildings and ground floor treatment.

- U Value $1.4W/m^2K$ (Depending on design)
- Air 600Pa
- Water 600Pa
- Wind 2400Pa



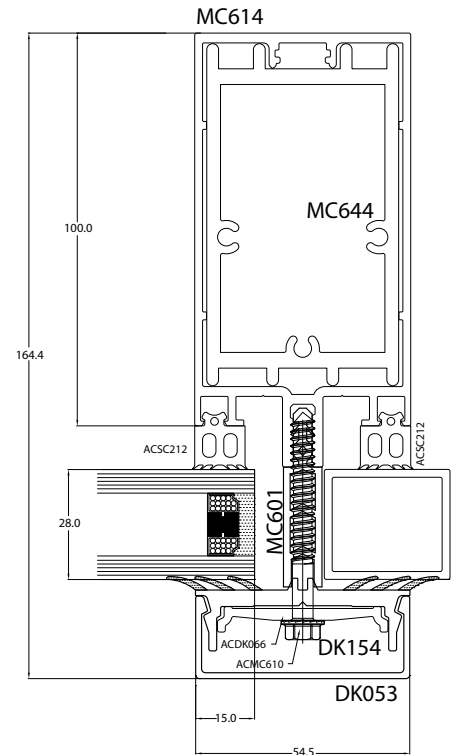
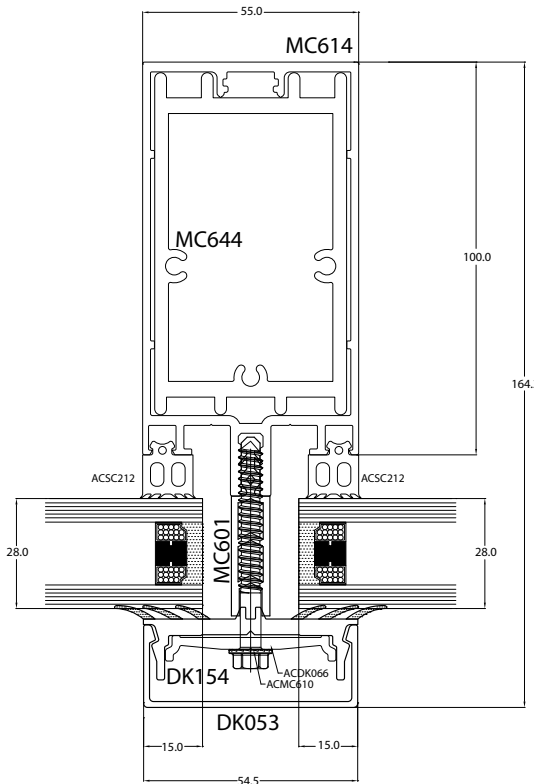
MC600

MC600 is a new curtain wall system capable of providing impressive, practical & economic glazed facades as a solution for both small and large scale multi-storey commercial buildings and ground floor treatment. The system has been designed with efficient fabrication in mind. MC600 benefits from an inter-changeable transom/mullion profile that allows fabricators to utilise the same section for both purposes, whilst achieving consistent sight lines. Depending on requirements MC600 can either be assembled on-site as a stick built system, or alternatively part assembled in the factory. MC600 can incorporate Smart window and door inserts.



Technical Performance

U Value	1.4W/m ² K (depending on design)
Document L Compliant	
Glass	24mm, 28mm or 32mm
Dual Colour	Yes
Air	600Pa
Water	600Pa
Wind	2400Pa
Testing	Successfully tested to the CWCT standard for building envelope systems.



Smart Systems Limited

Arnolds Way | Yatton | Bristol | North Somerset | BS49 4QN | UK
T +44 (0) 1934 876 100 | **F** +44 (0) 1934 835 169 |
W www.smartsystems.co.uk | **E** sales@smartsystems.co.uk
 IMS128MC6.201504

The images, drawings and data shown in this brochure are for illustrative purposes only and are not binding in detail, colour or specification. We reserve the right to make changes to the product specification as technical developments dictate and without prior notice. We recommend that the user ensures that they are satisfied the product meets their requirements prior to purchase. ©Smart Systems Ltd 2014